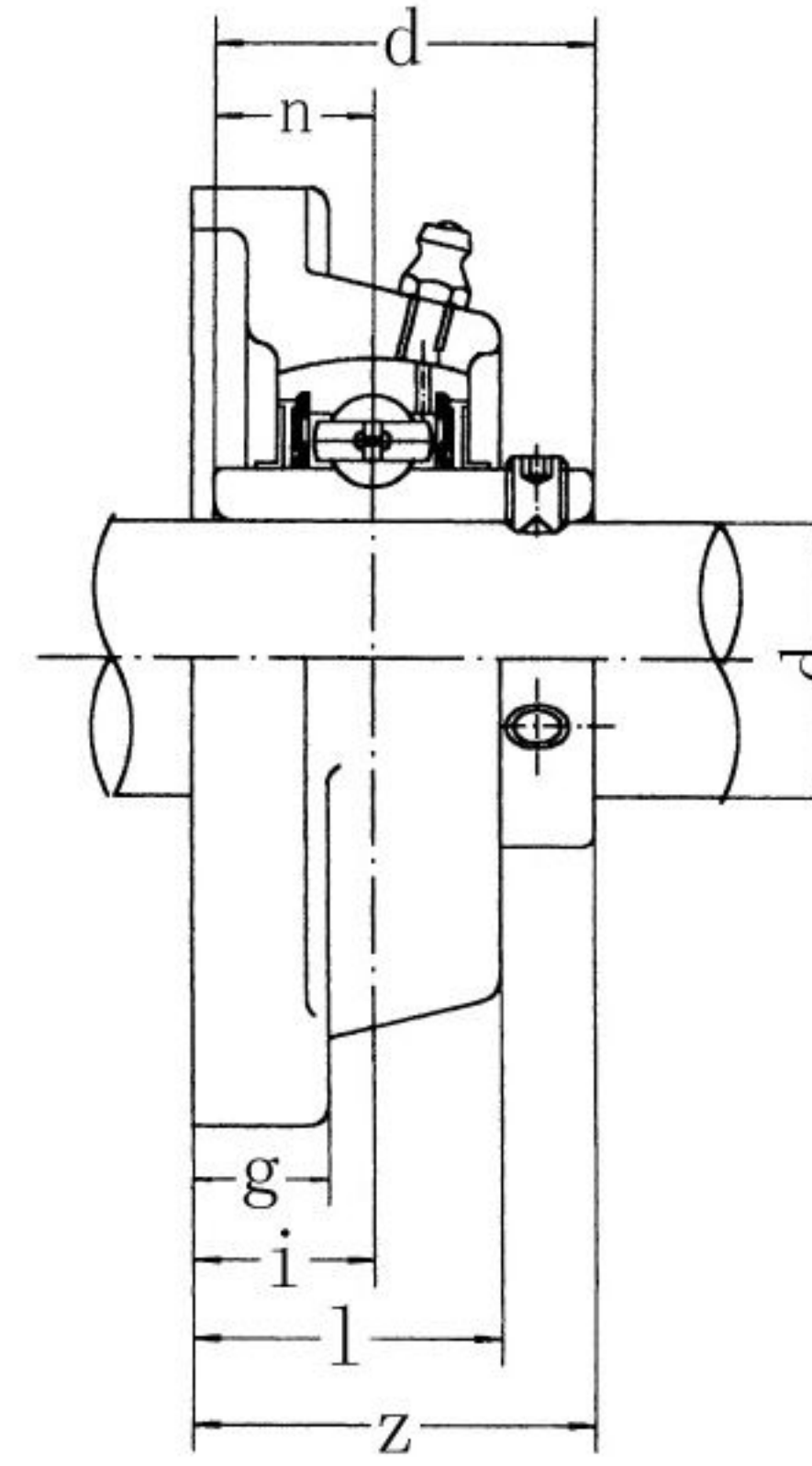
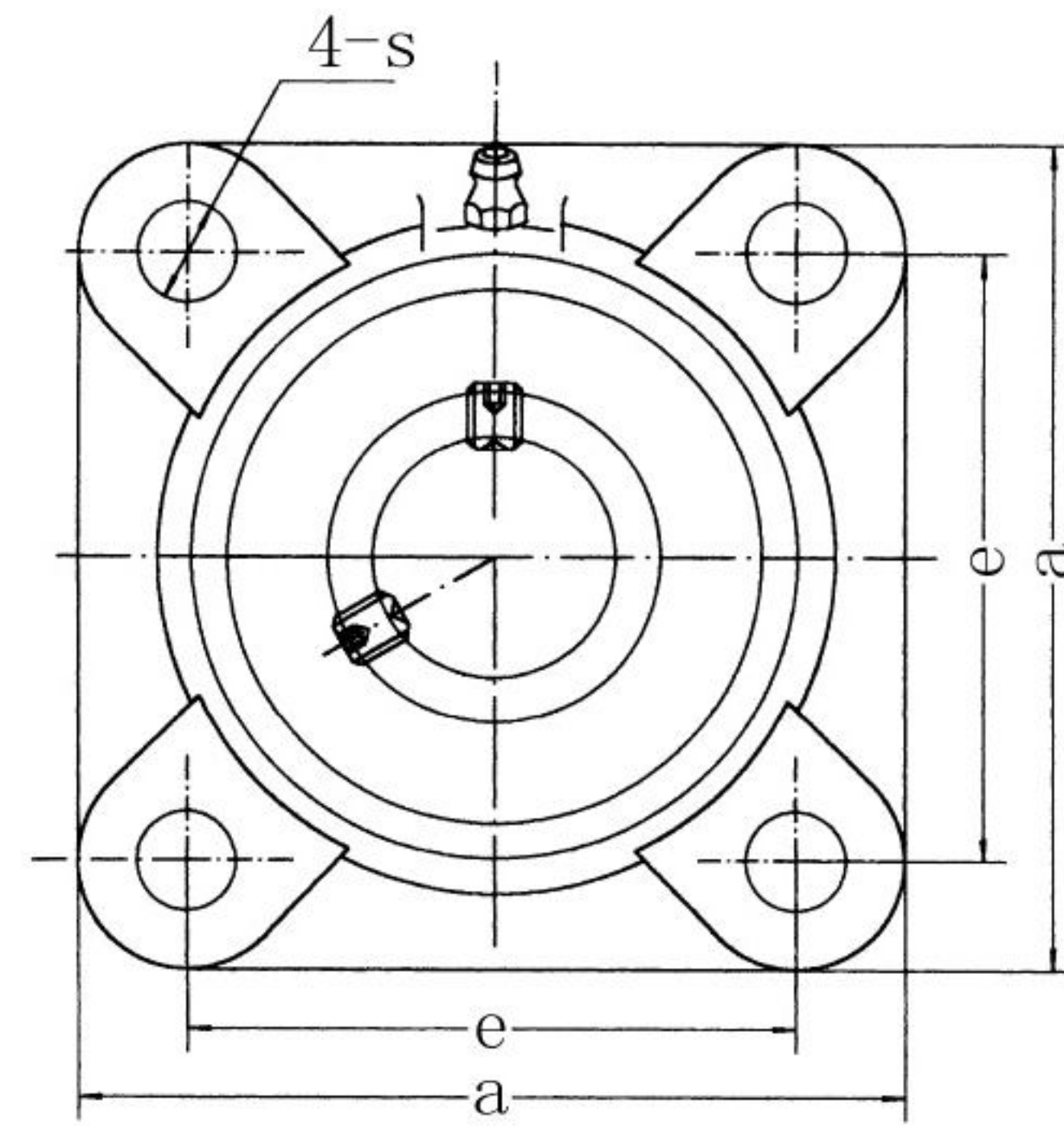


Flange Units (Square)

UCFX (Medium-duty)



Unit No.	Dimensions <sup>mm</sup> <sub>in.</sub>										Bolt Size <sub>mm</sub> inch	Bearing No.	Housing No.	Weight (kg)
	d	a	e	i	g	l	s	z	B	n				
UCFX05 UCFX05-13 UCFX05-14 UCFX05-15 UCFX05-16	25 13/16 7/8 15/16 1	108 4-1/4	83 3-17/64	18 45/64	13 1/2	30 1-3/16	12 15/32	40.2 1-19/32	38.1 1.5000	15.9 0.626	M10 3/8	UCX05 UCX05-13 UCX05-14 UCX05-15 UCX05-16	FX05	1.0
UCFX06 UCFX06-17 UCFX06-18 UCFX06-19 UCFX06-20	30 1-1/16 1-1/8 1-3/16 1-1/4	117 4-39/64	92 3-5/8	19 3/4	14 9/16	34 1-11/32	16 5/8	44.4 1-3/4	42.9 1.6890	17.5 0.689	M14 1/2	UCX06 UCX06-17 UCX06-18 UCX06-19 UCX06-20	FX06	1.7
UCFX07 UCFX07-21 UCFX07-22 UCFX07-23	35 1-5/16 1-3/8 1-7/16	130 5-1/8	102 4-1/64	21 53/64	14 9/16	38 1-1/2	16 5/8	51.2 2-1/64	49.2 1.9370	19 0.748	M14 1/2	UCX07 UCX07-21 UCX07-22 UCX07-23	FX07	2.1
UCFX08 UCFX08-24 UCFX08-25	40 1-1/2 1-9/16	137 5-13/32	105 4-9/64	22 55/64	14 9/16	40 1-9/16	19 3/4	52.2 2-1/64	49.2 1.9370	19 0.748	M16 5/8	UCX08 UCX08-24 UCX08-25	FX08	2.4
UCFX09 UCFX09-26 UCFX09-27 UCFX09-28 UCFX09-29	45 1-5/8 1-11/16 1-3/4 1-13/16	143 5-5/8	111 4-3/8	23 29/32	14 9/16	40 1-9/16	19 3/4	55.6 2-3/16	51.6 2.0315	19 0.748	M16 5/8	UCX09 UCX09-26 UCX09-27 UCX09-28 UCX09-29	FX09	2.5
UCFX10 UCFX10-30 UCFX10-31 UCFX10-32	50 1-7/8 1-15/16 2	162 6-3/8	130 5-1/8	26 1-1/32	20 25/32	44 1-23/32	19 3/4	59.4 2-11/32	55.6 2.1890	22.2 0.874	M16 5/8	UCX10 UCX10-30 UCX10-31 UCX10-32	FX10	3.9
UCFX11 UCFX11-33 UCFX11-34 UCFX11-35 UCFX11-36 UCFX11-37	55 2-1/16 2-1/8 2-3/16 2-1/4 2-5/16	175 6-57/64	143 5-5/8	29 1-9/64	20 25/32	49 1-15/16	19 3/4	68.7 2-45/64	65.1 2.5630	25.4 1.000	M16 5/8	UCX11 UCX11-33 UCX11-34 UCX11-35 UC211-36 UC211-37	FX11	4.9
UCFX12 UCFX12-38 UCFX12-39	60 2-3/8 2-7/16	187 7-23/64	149 5-55/64	34 1-11/32	21 13/16	59 2-5/16	19 3/4	73.7 2-29/32	65.1 2.5630	25.4 1.000	M16 5/8	UCX12 UCX12-38 UCX12-39	FX12	5.2
UCFX13 UCFX13-40 UCFX13-41	65 2-1/2 2-9/16	187 7-23/64	149 5-55/64	34 1-11/32	21 13/16	59 2-5/16	19 3/4	78.4 3-3/32	74.6 2.9370	30.2 1.189	M16 5/8	UCX13 UCX13-40 UCX13-41	FX13	5.3
UCFX14 UCFX14-42 UCFX14-43 UCFX14-44	70 2-5/8 2-11/16 2-3/4	197 7-3/4	152 5-63/64	37 1-29/64	24 15/16	60 2-3/8	23 29/32	81.5 3-13/64	77.8 3.0630	33.3 1.311	M20 3/4	UCX14 UCX14-42 UCX14-43 UCX14-44	FX14	7.3
UCFX15 UCFX15-45 UCFX15-46 UCFX15-47 UCFX15-48	75 2-13/16 2-7/8 2-15/16 3	197 7-3/4	152 5-63/64	40 1-37/64	24 15/16	68 2-11/16	23 29/32	89.3 3-33/64	82.6 3.2520	33.3 1.311	M20 3/4	UCX15 UCX15-45 UCX15-46 UCX15-47 UCX15-48	FX15	8.1
UCFX16 UCFX16-49 UCFX16-50 UCFX16-51 UCFX16-52	80 3-1/16 3-1/8 3-3/16 3-1/4	214 8-7/16	171 6-47/64	40 1-37/64	24 15/16	70 2-3/4	23 29/32	91.6 3-39/64	85.7 3.3740	34.1 1.343	M20 3/4	UCX16 UCX16-49 UCX16-50 UCX16-51 UCX16-52	FX16	9.9
UCFX17 UCFX17-53 UCFX17-55	85 3-5/16 3-7/16	214 8-7/16	171 6-47/64	40 1-37/64	24 15/16	70 2-3/4	23 29/32	96.3 3-25/32	96 3.7795	39.7 1.563	M20 3/4	UCX17 UCX17-53 UCX17-55	FX17	11
UCFX18 UCFX18-56	90 3-1/2	214 8-7/16	171 6-47/64	45 1-49/64	24 15/16	76 3	23 29/32	106.1 4-3/16	104 4.0945	42.9 1.689	M20 3/4	UCX18 UCX18-56	FX18	11
UCFX20 UCFX20-64	100 4	268 10-9/16	211 8-5/16	59 2-21/64	31 1-7/32	97 1-7/32	31 3-13/16	127.3 1-7/32	117.5 4.6260	49.2 1.689	M27 1	UCX20 UCX20-64	FX20	17